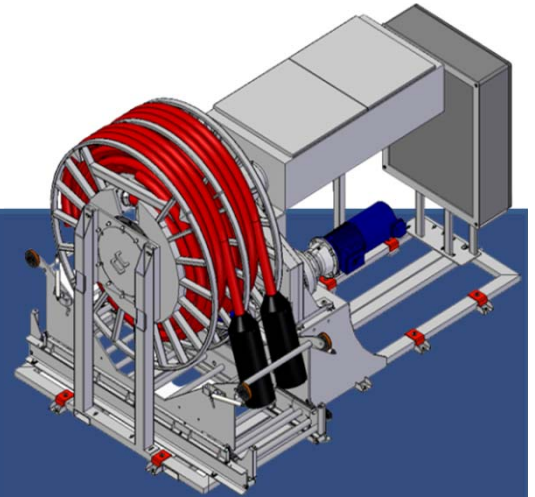


HiQ-AMP

Provides Secured Shore Power Connection



Alternative Marine Power System (Shore Power)

HiQ-AMP is a modular, containerized shore power connection system which provides a secured electrical power supply from the local grid to vessels.

Key Features

Simple and modular shore power connection system

Easy operation, safety secured AMP system to ship-owner

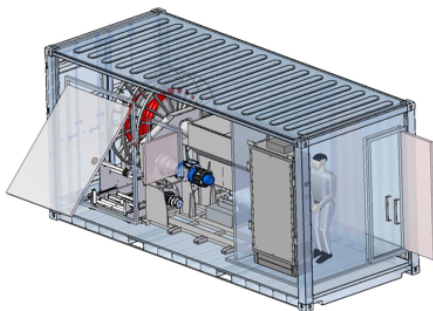
Satisfies IEC/ISO/IEEE 80005-1 requirements and global standards

Satisfies class requirements: DNV/ABS/LR/KR/BV and others

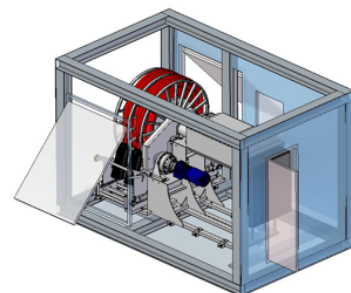
Provides customized solutions

Customized AMP Application Solutions

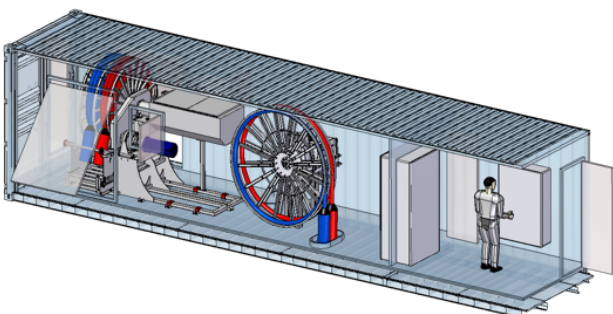
20ft Containerized Type (Fixed Type)



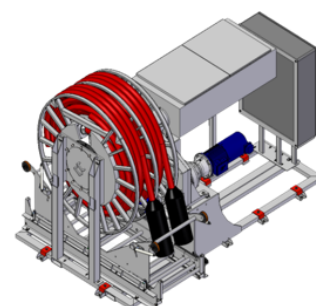
Enclosure Type (Fixed Type)



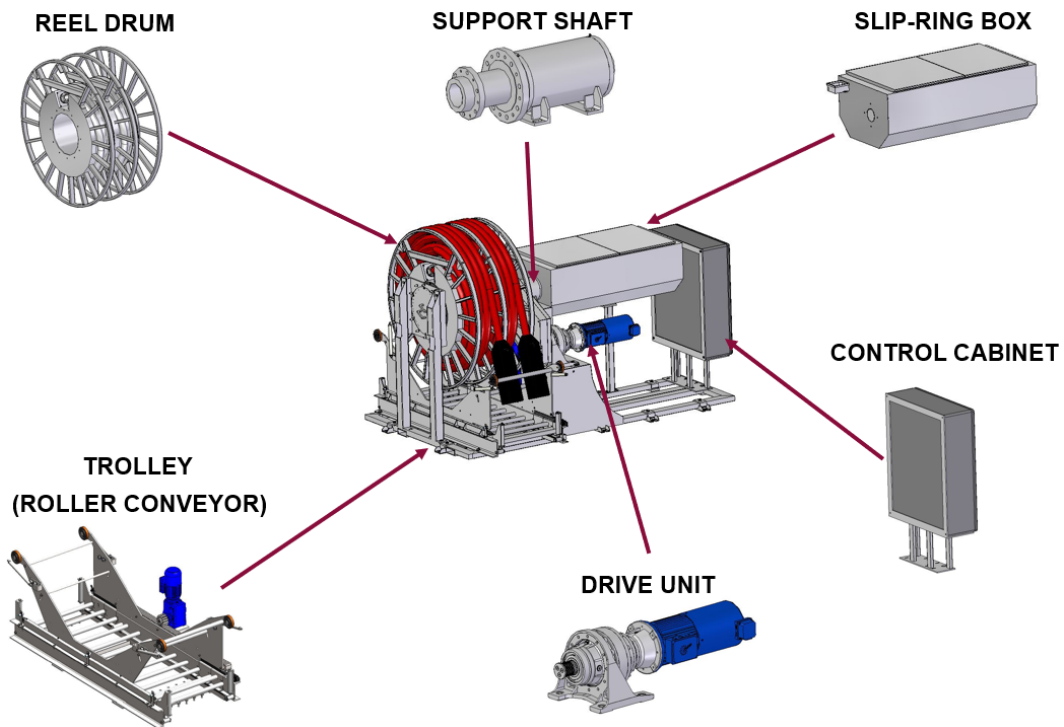
40ft Containerized Type (Movable Type)



Cable Reel Itself (Fixed Type)



Major Components of Cable Reel



Tested and Certified for Slip-Ring

The following tests have been successfully completed according to the following standards:

- IEC/ISO/IEE 80005-1, "Utility connections in port-Part 1: HVSC-General requirements.



Current withstand test



Heat run test



Withstand voltage test



Insulation resistance test



Key Benefits

- Turnkey solution from design to commissioning and after service through our global service network
- Customized AMP Application Solutions
- Long time proven technology and certified key components
- Cost effectiveness
- Long experience in marine industry; Ship's Classification Requirements

General Specifications


[A] HVSC (High Voltage Shore Connection)

No.	Classifications	Specifications
1	Power capacity (Max.)	7.5MVA
2	Shore side electric power	6.6kV / 11kV
3	Maximum short circuit current	16kA
4	Ship side power	440V
5	Cable length of cable reel ship to shore	55m
6	Ambient Temperature	45°C

[B] Container

No.	Classifications	Specifications	
		20ft	40ft
1	Container Size (mm)	2,400 x 2,900 x 6,060	2,400 x 2,900 x 12,200
2	Protection Class	IP 56	←
3	Weight (kg)	Abt. 2,300	Abt. 4,200
4	Material / Paint Color	SS41 / RAL9003	←

[C] High Voltage Plug

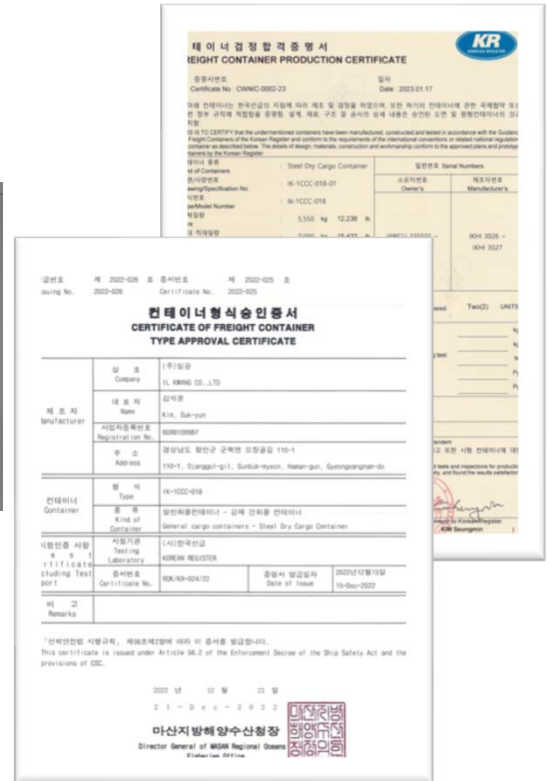
No.	Classifications	Specifications
1	Type	3P + E + 3 Pilots + F.O (Red) [3x185(sq) + 95(sq) + 3x2.5(sq)] 3P + E + 3 Pilots + F.O (Blue) [3x185(sq) + 95(sq) + 3x2.5(sq)]
2	Configuration	
3	Max. Insulation Voltage	7.2kV
4	AC Withstand Voltage	17.1kV
5	Power Source	6.6kV / 11kV
6	Max Current Rating	350A x 2
7	Protection	IP67 (Between plug and socket)

[D] Cable Reel

No.	Classifications	Specifications
1	Type	6/10kV (EPR/TPU)
2	Cables	(3x185[sq] + 95[sq] + 5x2.5[sq]) x 2 + F.O
3	Winding Speed	10m/min (Adjustable)
4	Reel Control Power Source	AC440V, 3ph, 60Hz
5	Protection Class	IP56
6	Slip-Ring	Power and Pilot : 500A x 6P + 25A x 10P + F.O
7	Automatic Tension Control	Applied

CSC Certification for Container

- CSC certification is issued under Article 56.2 of the Environment Decree of the Ship Safety Act and the provisions of CSC.



Short Lead Time of Delivery

- Delivery : 4.5 months

Description	1 M				2 M				3 M				4 M				5 M	
	1 w	2 w	3 w	4 w	1 w	2 w	3 w	4 w	1 w	2 w	3 w	4 w	1 w	2 w	3 w	4 w	1 w	2 w
AMP Overall Schedule																		
Contract with Fixed layout																		
AMP Manufacturing																		
Shop test																		
Installation & Commissioning																		

Factory Acceptance Test (FAT)

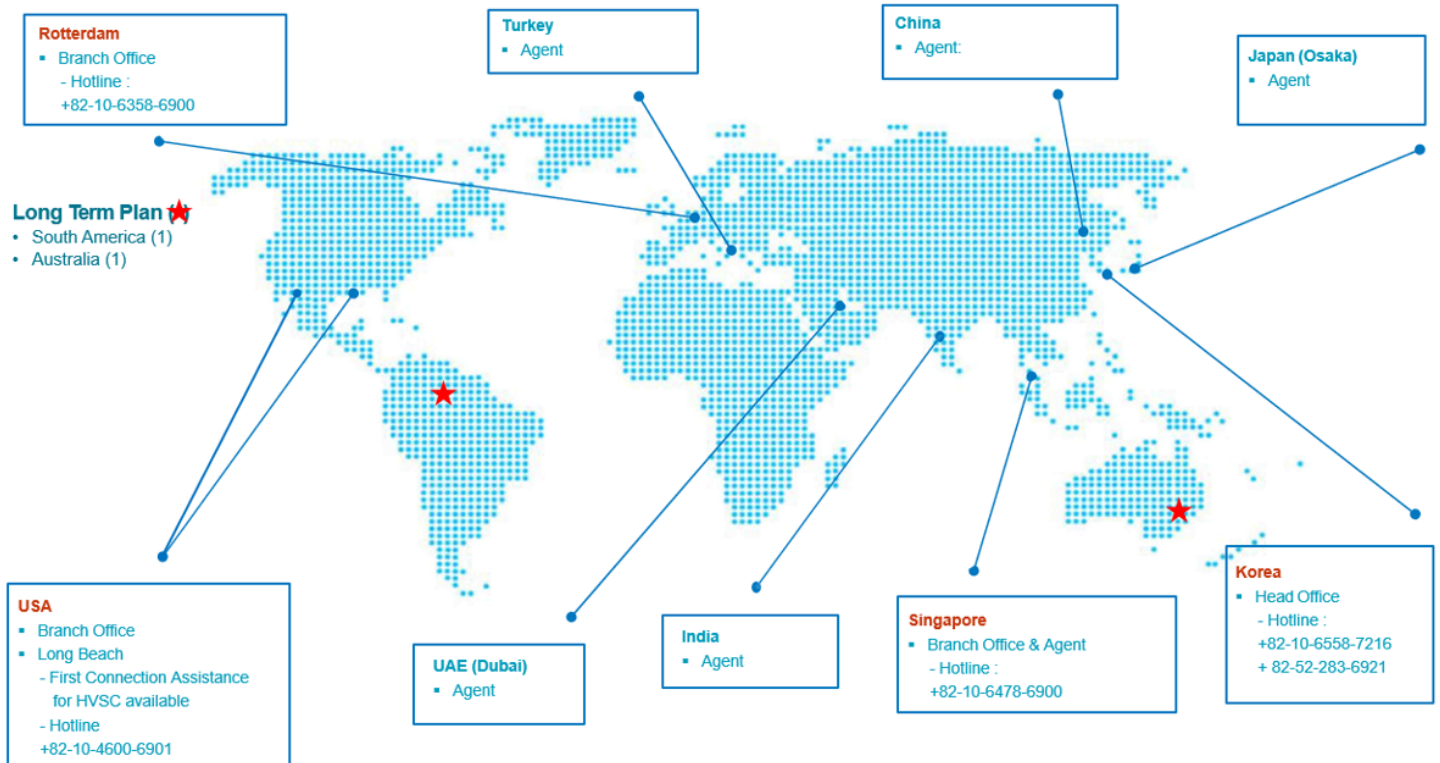
Hyundai Welding's HiQ-AMP (Alternative Maritime Power) System FAT was successfully completed in the presence of the ship owner, classification society and shipyard. In the process of FAT, we received positive feedback from our customers after completing Visual Inspection, Safety Test and Functional Test on the product.



HULL NO.	HMD4168 <i>POES</i>			
MODEL	20R CONTAINER			
SHIP OWNER	MAERSK			
SHIP CLASSIFICATION	ABS			
MANUFACTURER	HYUNDAI WELDING Co., Ltd. / AUXEMA STEMMANN			
CONFIRMED BY			DATE 1 st	
			DATE 2 nd	06 /MAR/ 2023
Test	MANUFACTURER	SHIP YARD	SHIP CLASS	SHIP OWNER
1 st	<i>[Signature]</i> Arman Zaraya	HWS <i>[Signature]</i> W.S. Bjeon	Eduardo Alvar Ref 5526141 <i>[Signature]</i>	L/M/BS (JOSÉ RODRIGUES) MAERSK
2 nd	HWC QM A. C. HEN <i>[Signature]</i> 06/MAR/2023	HMD QM Manya KO <i>[Signature]</i> 2023.03.06	AMS <i>[Signature]</i> 06.MAR.2023	MAERSK S. G. An <i>[Signature]</i> 06/13/2023
HWS QM W.S. Bjeon 2023.03.06.				



Global Service Networks



HiQ-AMP provides reliable shore power system solutions.

Contact us for any further inquiries and information.

Contact: amp-sales@hyundaiwelding.com

Office : #406 Good-prime Bldg, 641 Jongga-ro, Jung-gu, Ulsan, 44547, Korea

Tel: +82-52-283-6903 Fax: +82-52-283-6996

Copyright © 2023. All rights reserved. Published by Hyundai Welding.